



INTERNATIONAL APPLICATION PUBLISHED UNDER THE PATENT COOPERATION TREATY (PCT)

<p>(51) International Patent Classification ⁶ : B60R 11/02</p>	<p>A1</p>	<p>(11) International Publication Number: WO 98/42536</p> <p>(43) International Publication Date: 1 October 1998 (01.10.98)</p>
<p>(21) International Application Number: PCT/GB98/00835</p> <p>(22) International Filing Date: 19 March 1998 (19.03.98)</p> <p>(30) Priority Data: 9705979.4 22 March 1997 (22.03.97) GB</p> <p>(71) Applicant (for all designated States except US): NEW TRANSDUCERS LIMITED [GB/GB]; Stonehill, Huntingdon, Cambridgeshire PE18 6ED (GB).</p> <p>(72) Inventors; and (75) Inventors/Applicants (for US only): AZIMA, Henry [CA/GB]; 3 Southcare Close, Chaucer Road, Cambridge CB2 2TT (GB). COLLOMS, Martin [GB/GB]; 22 Burgess Hill, London NW2 2DA (GB). ELLIS, Christian [GB/GB]; Briar Cottage, 3 Barley Road, Great Chishill, Hertfordshire SG8 8SB (GB).</p> <p>(74) Agent: MAGUIRE BOSS; 5 Crown Street, St. Ives, Cambridgeshire PE17 4EB (GB).</p>		<p>(81) Designated States: AL, AM, AT, AU, AZ, BA, BB, BG, BR, BY, CA, CH, CN, CU, CZ, DE, DK, EE, ES, FI, GB, GE, GH, GM, GW, HU, ID, IL, IS, JP, KE, KG, KP, KR, KZ, LC, LK, LR, LS, LT, LU, LV, MD, MG, MK, MN, MW, MX, NO, NZ, PL, PT, RO, RU, SD, SE, SG, SI, SK, SL, TJ, TM, TR, TT, UA, UG, US, UZ, VN, YU, ZW, ARIPO patent (GH, GM, KE, LS, MW, SD, SZ, UG, ZW), Eurasian patent (AM, AZ, BY, KG, KZ, MD, RU, TJ, TM), European patent (AT, BE, CH, DE, DK, ES, FI, FR, GB, GR, IE, IT, LU, MC, NL, PT, SE), OAPI patent (BF, BJ, CF, CG, CI, CM, GA, GN, ML, MR, NE, SN, TD, TG).</p> <p>Published With international search report.</p>
<p>(54) Title: PASSENGER VEHICLES INCORPORATING LOUDSPEAKERS COMPRISING PANEL-FORM ACOUSTIC RADIATING ELEMENTS</p>		
<p>(57) Abstract</p>		
<p>A vehicle (15) having a passenger compartment having a moulded headlining (1) and a loudspeaker (5) in the passenger compartment, characterised by a panel-form loudspeaker (5) having a member having capability to sustain and propagate input vibrational energy by bending waves in at least one operative area extending transversely of thickness to have resonant mode vibration components distributed over said at least one area and having predetermined preferential locations or sites within said area for vibration exciter means and having a vibration exciter mounted on said member at at least one of said locations or sites to vibrate the member to cause it to resonate forming an acoustic radiator which provides an acoustic output when resonating and which radiator is attached to or integral with the headlining. From another aspect the invention is a vehicle component in the form of a moulded lining member (14) for a passenger compartment, e.g. a head or door lining or the like, characterised by a panel-form loudspeaker (12) in the form of an acoustic radiator as defined above.</p>		

FOR THE PURPOSES OF INFORMATION ONLY

Codes used to identify States party to the PCT on the front pages of pamphlets publishing international applications under the PCT.

AL	Albania	ES	Spain	LS	Lesotho	SI	Slovenia
AM	Armenia	FI	Finland	LT	Lithuania	SK	Slovakia
AT	Austria	FR	France	LU	Luxembourg	SN	Senegal
AU	Australia	GA	Gabon	LV	Latvia	SZ	Swaziland
AZ	Azerbaijan	GB	United Kingdom	MC	Monaco	TD	Chad
BA	Bosnia and Herzegovina	GE	Georgia	MD	Republic of Moldova	TG	Togo
BB	Barbados	GH	Ghana	MG	Madagascar	TJ	Tajikistan
BE	Belgium	GN	Guinea	MK	The former Yugoslav Republic of Macedonia	TM	Turkmenistan
BF	Burkina Faso	GR	Greece	ML	Mali	TR	Turkey
BG	Bulgaria	HU	Hungary	MN	Mongolia	TT	Trinidad and Tobago
BJ	Benin	IE	Ireland	MR	Mauritania	UA	Ukraine
BR	Brazil	IL	Israel	MW	Malawi	UG	Uganda
BY	Belarus	IS	Iceland	MX	Mexico	US	United States of America
CA	Canada	IT	Italy	NE	Niger	UZ	Uzbekistan
CF	Central African Republic	JP	Japan	NL	Netherlands	VN	Viet Nam
CG	Congo	KE	Kenya	NO	Norway	YU	Yugoslavia
CH	Switzerland	KG	Kyrgyzstan	NZ	New Zealand	ZW	Zimbabwe
CI	Côte d'Ivoire	KP	Democratic People's Republic of Korea	PL	Poland		
CM	Cameroon	KR	Republic of Korea	PT	Portugal		
CN	China	KZ	Kazakstan	RO	Romania		
CU	Cuba	LC	Saint Lucia	RU	Russian Federation		
CZ	Czech Republic	LI	Liechtenstein	SD	Sudan		
DE	Germany	LK	Sri Lanka	SE	Sweden		
DK	Denmark	LR	Liberia	SG	Singapore		
EE	Estonia						

PASSENGER VEHICLES INCORPORATING LOUDSPEAKERS COMPRISING PANEL-FORM ACOUSTIC
RADIATING ELEMENTS

10

DESCRIPTION

15

TECHNICAL FIELD

The invention relates to passenger vehicles and more particularly to passenger vehicles incorporating loudspeakers comprising panel-form acoustic radiating elements.

20

BACKGROUND ART

Embodiments of the present invention use members of nature, structure and configuration achievable generally and/or specifically by implementing teachings of our PCT application WO97/09842. Such members thus have capability
25 to sustain and propagate input vibrational energy by bending waves in operative area(s) extending transversely of thickness often but not necessarily to edges of the member(s); are configured with or without anisotropy of

bending stiffness to have resonant mode vibration components distributed over said area(s) beneficially for acoustic coupling with ambient air; and have predetermined preferential locations or sites within said area for
5 exciter means, particularly operationally active or moving part(s) thereof effective in relation to acoustic vibrational activity in said area(s) and signals, usually electrical, corresponding to acoustic content of such vibrational activity.

10 Members as above are herein called distributed mode acoustic radiators and are intended to be characterised as in the above PCT application WO97/09842 and/or otherwise as specifically provided herein.

This invention is particularly concerned with acoustic
15 devices in the form of resonant acoustic radiator loudspeakers for use in passenger vehicles such as automobiles, aircraft, boats, railway trains etc, and to vehicles incorporating such loudspeakers.

DISCLOSURE OF INVENTION

20 The invention is a vehicle having a passenger compartment characterised by a loudspeaker in the passenger compartment comprising a distributed mode acoustic radiator and a exciter mounted on the radiator to vibrate the radiator to cause it to resonate.

25 The radiator may be integral with a passenger seat in the vehicle or with a door into the passenger compartment. The radiator may be integral with the interior of the passenger compartment, e.g. a wall, floor or roof. Thus

the radiator may be integral with a roof lining in an automobile or the like. A plurality of such radiators may be arranged in the vehicle.

The vehicle may comprise a plastics or fibrous moulded component in or forming part of the passenger compartment, and the radiator may be integral with the component.

The radiator may comprise a stiff lightweight panel having cellular core sandwiched between skin layers, and wherein one of the skins is integral with the moulded component. The said one skin may be thin in comparison to the average wall thickness of the component. The said one skin may be surrounded by a groove or slot in the component, the groove defining a resilient surround for the radiator, and the slot helping to define a region of distributed mode bending operation.

From another aspect, the invention is a vehicle component comprising a loudspeaker having a distributed mode acoustic radiator and a exciter mounted on the radiator to vibrate the radiator to cause it to resonate.

Employing the principle for the distributed mode loudspeaker described in our International application WO97/09842, it is possible to employ suitable existing structures, directly or by adaptation or modification, or by original design, to operate as effective loudspeakers.

Distributed mode operation indicates that a beneficial spread of modal resonances be encouraged in a structure intended to operate as an acoustic radiator. The principle teaches properties of structure, geometry and driving

point(s) which promote good modal density for wide range sound reproduction. Some structures e.g. existing or prefabricated or similar panels may naturally have such a property in the frequency range of interest, for which a
5 suitable mathematical and mechanical analysis will determine the optimum driving point(s) and exciter(s) and their characteristics for a useful acoustic output.

Obviously where existing or installed structures are appropriate there is potentially high convenience, utility
10 and decorative value and additionally a cost benefit for additional operation/inclusion of a loudspeaker, whether for music or speech application for example hands-free mobile telephony to enhance safety. Such class of speaker provides weight saving and/or greater impact safety for the
15 vehicle occupants.

Subject to structural and acoustic analysis including the effect of the potential air load, an existing interior door panel or parcel shelf or equivalent or roof lining may benefit from modification to its mountings or the addition
20 of stiffening members, sections or panels, to result in a performance closer to the intended distributed mode form, in the intended range of operation.

Alternatively these panel units, compatible or otherwise with existing practice, may be structured and
25 designed to possess distributed mode potential for vehicular and general interiors of buses, or dimensions small than rooms e.g. rail coaches, buses etc. according to the principles described in our International application

WO97/09842.

For automotive use the distributed mode principle is particularly suited since the acoustic element may be robust, water and environmentally resistant and requires no grill cover or opening, or protection for its effective operation. In fact the acoustic part of the panel may be fully integrated such that no external witness of its presence is required this also for interior design where the visual presence of loudspeaker systems is to be avoided.

Where sound systems are incorporated in vehicles, the distributed mode principle allows them to be fully integrated in prefabricated units including related services such as rooflights and related control and display technology served by as little as one wiring harness for reduced assembly cost. In addition the integration of more advanced facilities in, for example, a vehicle roof lining, adds engineering value to this product.

While distributed mode speakers are capable of, and are generally designed to operate over, a wide frequency range, in particular uniquely to reach to the highest audible frequencies without the use of additional drive elements or crossover networks, some panel structures lend themselves to effective operation in the lower frequency range owing to their relatively low fundamental bending frequency. While employing built-in or otherwise distributed mode speaker elements for the usual middle and upper frequency range, the naturally low bending

frequency(s) for the structural or modular panels in question may be utilised for sound reproduction which optimised in the low frequency range to work congruently with the upper range units. The result is a beneficial
5 additional operation of such panel as dual purpose while the low frequency range may extend in to the range generally covered by box type units called sub woofers, characterised by operation in the range below 150Hz and which may extend down to audible 20 Hz limits or
10 thereabouts, this lower limit still sensed by human perception and capable of enhancing the enjoyment of reproduced music signals of wide recorded bandwidth. Larger structural panels of heavier construction of resin bonded composites of combinations of these and similar
15 material will have modal resonances extending to the low range and may be driven by a number of electromagnetic energisers including those designed specifically to suit distributed mode loudspeakers as described in our International applications WO97/09859, WO97/09861,
20 WO97/09858, optimised by driving force and natural resonance to couple well to larger heavier panels.

The integration of sound systems with vehicle design, also with lighting units is an important aspect of modern practice. The distributed mode speaker principle is
25 uniquely suited to these applications where unobtrusive even totally concealed sound systems may be designed. Full range types of loudspeakers, resonant panel or otherwise, may be augmented by resonating distributed mode panels

which are designed to be effective in the low range. Low range sounds are essentially non directional which largely removes restraints on placement. Thus low range distributed mode panels may be positioned advantageously
5 under seating in a protected area or incorporated in the under panelling of the seat.

Vehicle components which are suited to low frequency operation with electrodynamic exciters include parcel shelves, headlinings and door interior panels.

10 The structure of a headlining may be multi-layer, with a resinated fibre structural base overlaid by an acoustically porous thin foam and a fabric or other decorative covering. In one embodiment the headlining base is perforated by one or more apertures in which small
15 distributed mode speakers may be resiliently supported to provide one or more channels of sound reproduction conveniently above the passengers heads, the sound easily being transmitted through the porous layer. These separate distributed mode speakers are more suited to the middle and
20 upper frequency range and the low range is then preferably reproduced by resonating the structure of the headlining with a suitable electrodynamic exciter. The particular virtue of a distributed mode speaker in this design is the lack of hot spot or proximity effect and which provides
25 superior sound distribution for the vehicle passengers.

In manufacture, small distributed mode speakers may be moulded into place in a headlining or the like to simplify construction. To avoid the possibility of power overload,

and the consequent need for repair, thermal limiters, e.g. self resetting positive temperature co-efficient resistors, may be incorporated in the wiring harness to protect the exciters.

5 A loudspeaker according to the present invention may be incorporated in a conventional vehicle using, for example, existing or partially modified surfaces, or by moulding and suitable attachment of a distributed mode loudspeaker panel to the different linings and trimmings of
10 the vehicle, for example in panels of the headrest remote from occupant head contact.

A distributed mode acoustic radiator designed to operate at low frequencies, i.e. a subwoofer, may be positioned in places such as the under-seat area or in seat
15 backs, and might also be applied to the whole of a headlining of suitable stiffness.

Mid-high frequency sound reproduction can be achieved by employing distributed mode loudspeaker panels attached to or installed in the vacuum-forming or other moulding
20 process of the internal trimmings, in particular the headliner, the door-liner, parcel-shelf, sun visor or the dashboard of an automobile.

Bass frequencies can be produced by applying a suitable exciter to a headliner or rear parcel-shelf and/or
25 by the use of separate distributed mode panels are attached to the undersides of seats, to the rears of seats or door linings or even to floor coverings. In a particular application, the vehicle foot-well can be utilised to

amplify the bass frequencies as a horn for panel radiators mounted in such a location. When the speakers are proximate to the heads of the passengers, especially in the headliner or headrest applications, noise cancellation of good order of bandwidth and rejection ratio may be achieved as an additional benefit in conjunction with suitable signal processing systems, known per se.

Due to very wide dispersion characteristics of distributed mode loudspeaker and the diffuse nature of the sound, an even sound distribution is achieved in the vehicle cabin with good signal to noise ratio. Further enhancement of the 'tonal balance' and also 'dynamic road noise reduction' i.e. noise cancellation may be achieved by DSP (digital signal processing) methods due to the very uniform nature of the sound power distribution of distributed mode loudspeaker panels.

Due to the electrically compatible nature of distributed mode speaker panels using electro-dynamic exciters, existing electronics and amplification may be used.

Due to the current manufacturing procedures adopted by vehicle manufacturers, they prefer to purchase fully functional pre-tested sub-assemblies. The above applications lend themselves to such preferred methods of manufacturing and sub-contracting.

BRIEF DESCRIPTION OF DRAWINGS

The invention is diagrammatically illustrated, by way of example, in the accompanying drawings, in which:-

Figure 1 is a plan view of a roof or headlining for an automobile, constructed in accordance with the present invention;

Figure 2 is a scrap cross-sectional side view of the headlining of Figure 1;

Figure 3 is a perspective view of the front portion of an automobile;

Figure 4 is a plan view corresponding to Figure 3, and

Figure 5 is a view of part of the interior of an automobile.

BEST MODES FOR CARRYING OUT THE INVENTION

In Figures 1 and 2 there is shown a roof or headlining (1) for an automobile (not shown) which headlining comprises a main body (2) of resin impregnated fibrous material which is formed to shape by moulding and which is covered on its under surface with a resilient foam layer (3), e.g. of plastics or rubber, which in turn is covered by a decorative skin layer (4) of textiles fabric or the like.

As shown, four resonant panel-form acoustic radiator loudspeakers (5) as described in International application WO97/09842 are provided inside the thickness of the headlining and are arranged in the headlining such that they are positioned generally above the heads of the occupants of the automobile. The four loudspeakers (5) are intended as mid/high frequency loudspeakers. In addition an opposed pair of vibration excitors are mounted directly on the body of the headlining, to excite the headlining at

low frequencies in the manner of a subwoofer operating as a distributed mode acoustic radiator as described in International application WO97/09842. The vibration excitors may be of the kind described in International application Nos. WO97/09859, WO97/09861, WO97/09858 and are preferably electrodynamic inertial devices. A wiring harness (7) providing electrical power to the various loudspeakers and other components such as interior lights (18) is integral with the headlining. It might be desirable to provide current limiters (8) in the wiring (7) to the loudspeakers to protect the excitors against overload. A rear view mirror (19) is shown mounted on the headlining.

As shown in Figure 2, the mid/high frequency loudspeakers (5) are provided in cavities (9) formed in the thickness of the body (2) of the headlining and by locally reducing the thickness of the resilient foam layer (3) whereby the foam layer is acoustically transparent. Stiff lightweight generally rectangular panel monoliths (10), e.g. of fibre impregnated plastics forming resonant acoustic radiators and made in accordance with the teaching in WO97/09842 are mounted in the respective cavities (9) on discrete resilient suspension elements (11), e.g. of a foamed elastomeric material which are mounted on the body and which are fixed to the panel (10) near to its edges. A vibration exciter (12) is mounted on the panel (10) to launch bending waves into the panel and is positioned on the panel as discussed in WO97/09842. The excitors (12)

may be electrodynamic and may be of the inertial variety.

Figures 3 and 4 show an automobile (15) with roof and roof lining omitted in the interests of clarity, and illustrate that acoustic radiator panel loudspeakers (5) of the kind described above are also provided in the interior lining (14) of the passenger footwells (13) and may benefit from such positioning since the partly enclosed volumes of such footwells may act as horns or resonators to enhance the acoustic signal. The radiators may be low frequency, i.e. subwoofer, loudspeakers.

In Figure 5, an automobile (15) of the kind described above is additionally equipped with distributed mode acoustic radiator loudspeakers (5) integrated in sun visors (17) attached to the top of the automobile windshield (16). The sun visors (17) incorporate resonant panels (10) excited by vibration exciters (12) as described above. The panel form of a distributed mode acoustic radiator makes it particularly suitable for such a purpose. By careful balancing of sound levels, the visor sound source can be used to provide improved image steering and frontal localisation for front seated persons in the vehicle.

For rear passengers augmented localisation may be achieved by additional speaker elements working in addition to the main headlining/parcel shelf radiators: these may be incorporated in seat backs, headrests or restraints or door trim sections.

CLAIMS

1. A vehicle having a passenger compartment having a moulded headlining and a loudspeaker in the passenger compartment, characterised by a panel-form loudspeaker
5 having a member having capability to sustain and propagate input vibrational energy by bending waves in at least one operative area extending transversely of thickness to have resonant mode vibration components distributed over said at least one area and having predetermined preferential
10 locations or sites within said area for vibration exciter means and having a vibration exciter mounted on said member at at least one of said locations or sites to vibrate the member to cause is to resonate forming an acoustic radiator which provides an acoustic output when resonating and
15 which radiator is attached to or integral with the headlining.
2. A vehicle according to claim 1, characterised by a low frequency radiator integral with the headlining.
3. A vehicle according to claim 1 or claim 2,
20 characterised by a mid/high frequency radiator attached to or integral with the headlining.
4. A vehicle according to any preceding claim, characterised in that a mid/high frequency radiator and/or a low frequency radiator is integral with a passenger seat
25 in the vehicle.
5. A vehicle according to claim 4, characterised by a radiator integral with a head restraint member in the passenger seat.

6. A vehicle according to any preceding claim, characterised by a passenger compartment door having a door lining and in that a mid/high frequency and/or a low frequency radiator is integral with the door lining.
- 5 7. A vehicle according to any preceding claim, characterised in that the headlining has one or more vibration exciters attached directly thereto to excite the headlining to vibrate at low frequencies to act as a bass radiator.
- 10 8. A vehicle according to claim 7, characterised in that the moulded body is formed with a cavity in which the acoustic radiator member is resiliently mounted to act as a mid/high frequency radiator, and in that the cavity is covered by a decorative facing.
- 15 9. A vehicle according to claim 8, characterised in that mid/high frequency radiators are positioned above individual passenger seats in the vehicle.
10. A vehicle according to any preceding claim, characterised in that the or each vibration exciter is
- 20 electrodynamic.
11. A vehicle component in the form of a moulded lining member for a passenger compartment, e.g. a head or door lining or the like, characterised by a panel-form loudspeaker having a member having capability to sustain
- 25 and propagate input vibrational energy by bending waves in at least one operative area extending transversely of thickness to have resonant mode vibration components distributed over said at least one area and having

predetermined preferential locations or sites within said area for vibration exciter means and having a vibration exciter mounted on said member at at least one of said locations or sites to vibrate the member to cause is to
5 resonate forming an acoustic radiator which provides an acoustic output when resonating and which radiator is attached to or integral with the moulded lining component.

12. A vehicle component according to claim 11, characterised in that the lining component comprises an
10 integrally moulded mid/high frequency acoustic radiator.

13. A vehicle component according to claim 11 or claim 12, characterised in that one or more vibration exciters are attached directly to the lining component to excite the lining component to vibrate at low frequencies to act as a
15 bass radiator.

14. A vehicle component according to any one of claims 11 to 13, characterised by a sun visor comprising an distributed mode acoustic radiator loudspeaker.

15. A vehicle component according to any one of claims 11
20 to 14, characterised in that the moulded lining component comprises an automobile footwell lining member.

16. A vehicle component according to any one of claims 11 to 15, characterised in that the moulded lining component is a shell for a passenger seat.

25 17. A vehicle component according to claim 16, characterised in that the shell comprises a head restraint and in that the acoustic radiator forms part of the head restraint.

18. A vehicle component according to any one of claims 11 to 17, characterised in that the component is a headlining having a body formed with a cavity in which the acoustic radiator is resiliently mounted, and in that the cavity is
5 covered by a decorative facing.

1 / 3

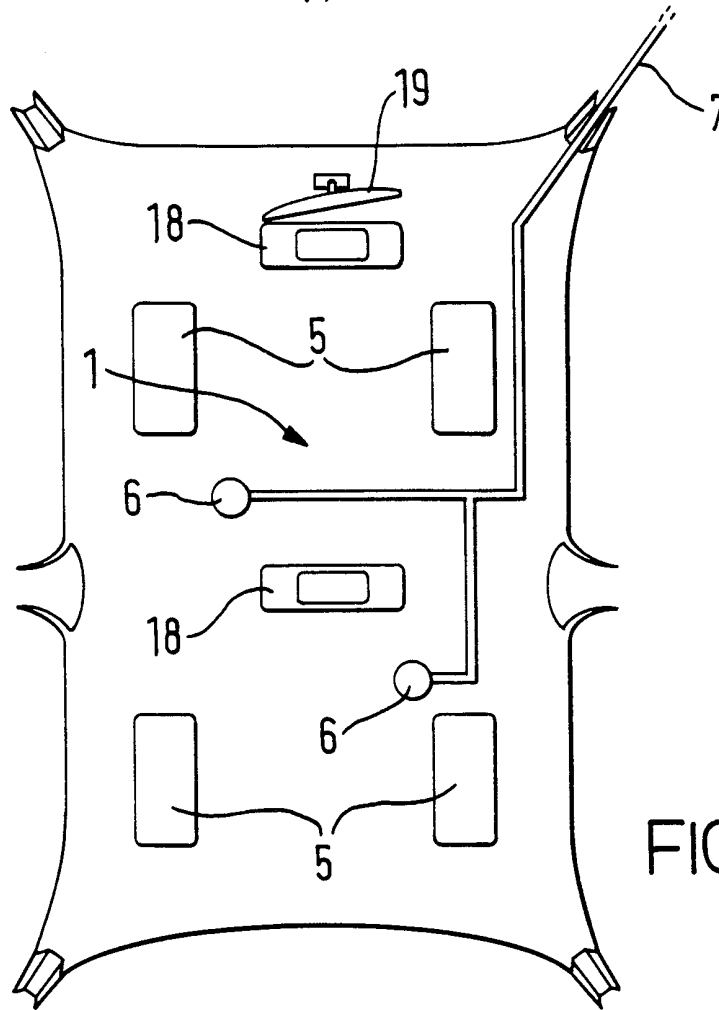


FIG. 1

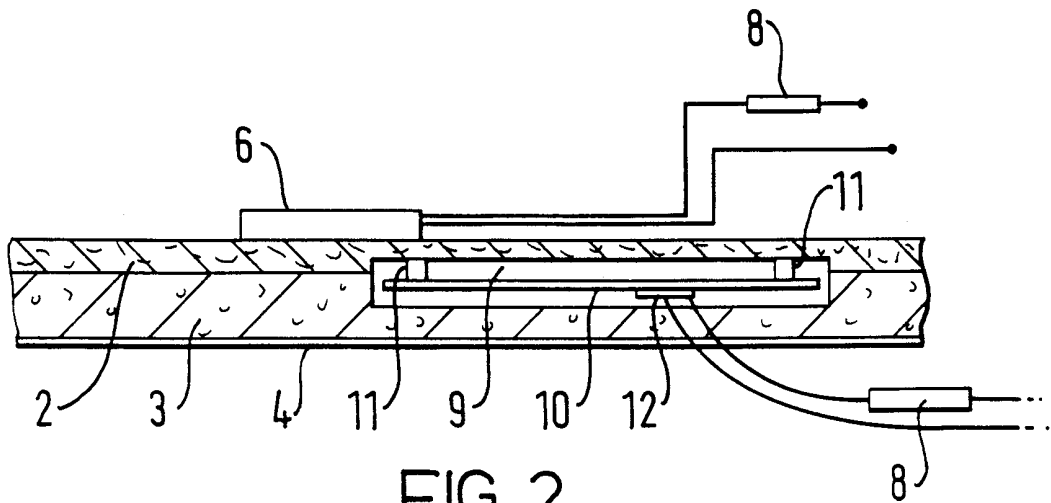


FIG. 2

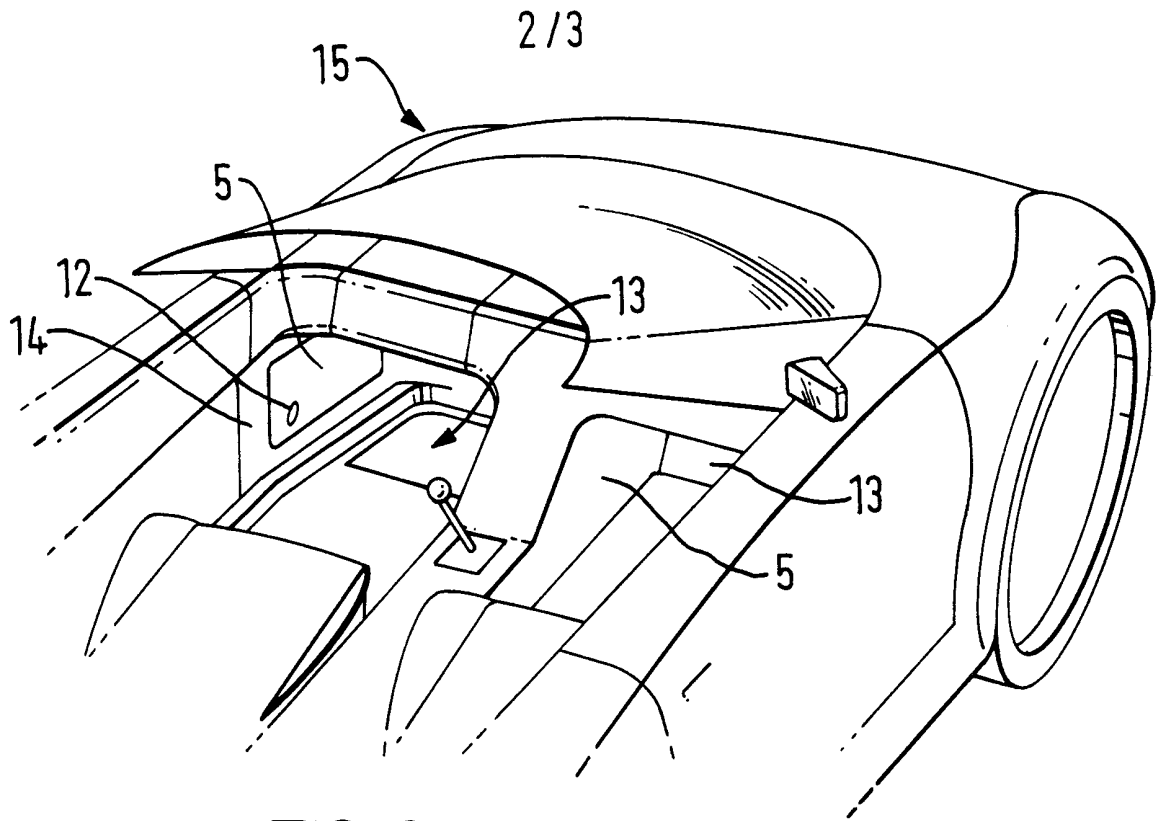


FIG. 3

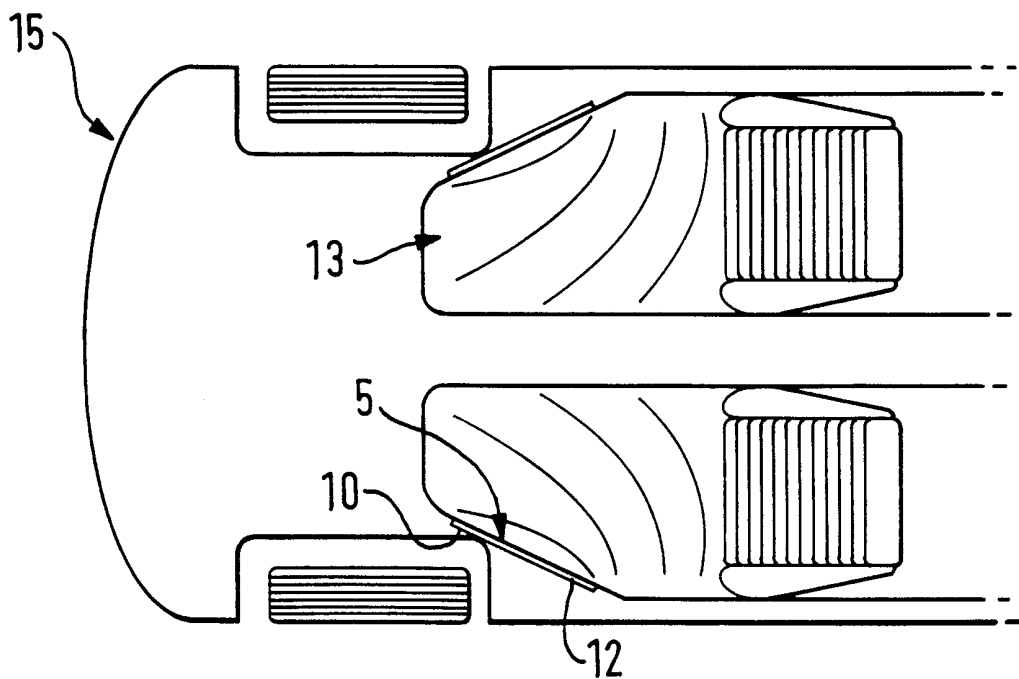


FIG. 4

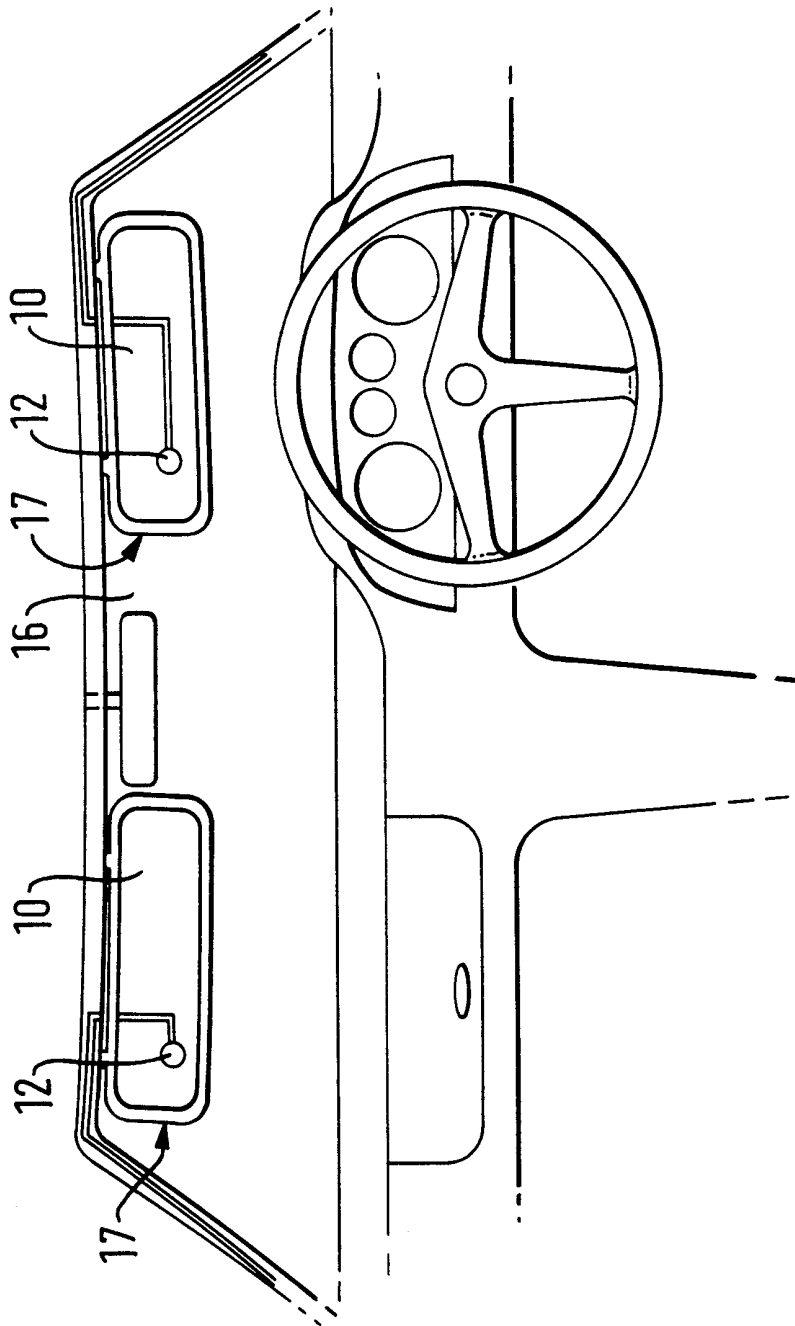


FIG. 5

INTERNATIONAL SEARCH REPORT

In tional Application No
PCT/GB 98/00835

A. CLASSIFICATION OF SUBJECT MATTER IPC 6 B60R11/02		
According to International Patent Classification(IPC) or to both national classification and IPC		
B. FIELDS SEARCHED		
Minimum documentation searched (classification system followed by classification symbols) IPC 6 B60R		
Documentation searched other than minimum documentation to the extent that such documents are included in the fields searched		
Electronic data base consulted during the international search (name of data base and, where practical, search terms used)		
C. DOCUMENTS CONSIDERED TO BE RELEVANT		
Category °	Citation of document, with indication, where appropriate, of the relevant passages	Relevant to claim No.
Y	WO 97 09861 A (VERITY GROUP) 13 March 1997 cited in the application see page 11, line 22 - page 12, line 8 ---	1,9,11
Y	GB 2 281 836 A (PRINCE CORPORATION) 15 March 1995 see page 7, line 30 - page 9, line 1 ---	1,9,11
A	WO 97 09858 A (VERITY GROUP) 13 March 1997 cited in the application see page 5, line 5 - page 6, line 3 ---	1,11
A	EP 0 411 786 A (BOSE) 6 February 1991 see column 2, line 33 - line 51 ---	1,4,6,8, 11,15,18
A	DE 43 28 720 A (ADAM OPEL) 2 March 1995 see column 2, line 12 - line 26 ---	1,4,5,11
-/--		
<input checked="" type="checkbox"/> Further documents are listed in the continuation of box C.	<input checked="" type="checkbox"/> Patent family members are listed in annex.	
° Special categories of cited documents :		
"A" document defining the general state of the art which is not considered to be of particular relevance	"T" later document published after the international filing date or priority date and not in conflict with the application but cited to understand the principle or theory underlying the invention	
"E" earlier document but published on or after the international filing date	"X" document of particular relevance; the claimed invention cannot be considered novel or cannot be considered to involve an inventive step when the document is taken alone	
"L" document which may throw doubts on priority claim(s) or which is cited to establish the publication date of another citation or other special reason (as specified)	"Y" document of particular relevance; the claimed invention cannot be considered to involve an inventive step when the document is combined with one or more other such documents, such combination being obvious to a person skilled in the art.	
"O" document referring to an oral disclosure, use, exhibition or other means	"&" document member of the same patent family	
"P" document published prior to the international filing date but later than the priority date claimed		
Date of the actual completion of the international search <p style="text-align: center;">7 July 1998</p>	Date of mailing of the international search report <p style="text-align: center;">15/07/1998</p>	
Name and mailing address of the ISA European Patent Office, P.B. 5818 Patentlaan 2 NL - 2280 HV Rijswijk Tel. (+31-70) 340-2040, Tx. 31 651 epo nl, Fax: (+31-70) 340-3016	Authorized officer <p style="text-align: center;">Standring, M</p>	

INTERNATIONAL SEARCH REPORT

International Application No
PCT/GB 98/00835

C.(Continuation) DOCUMENTS CONSIDERED TO BE RELEVANT		
Category ²	Citation of document, with indication, where appropriate, of the relevant passages	Relevant to claim No.
A	US 4 362 907 A (POLACSEK) 7 December 1982 see column 3, line 20 - line 54 -----	1,11,13, 14
A	DE 36 03 198 A (LEYSER) 30 October 1986 see figure 1 -----	1,9,11
A	DE 196 38 189 A (TOP SOURCE TECHNOLOGIES) 20 March 1997 see column 2, line 44 - column 3, line 44 -----	1,11
A	WO 97 09859 A (VERITY GROUP) 13 March 1997 cited in the application see the whole document -----	1,11

INTERNATIONAL SEARCH REPORT

Information on patent family members

International Application No

PCT/GB 98/00835

Patent document cited in search report	Publication date	Patent family member(s)	Publication date
WO 9709861	A	13-03-1997	
		AU 6880196 A	27-03-1997
		AU 6880296 A	27-03-1997
		AU 6880396 A	27-03-1997
		AU 6880496 A	27-03-1997
		AU 6880596 A	27-03-1997
		AU 6880696 A	27-03-1997
		AU 6880796 A	27-03-1997
		AU 6880896 A	27-03-1997
		AU 6880996 A	27-03-1997
		AU 6881096 A	27-03-1997
		AU 6881296 A	27-03-1997
		AU 6881396 A	27-03-1997
		AU 6881496 A	27-03-1997
		AU 6881596 A	27-03-1997
		AU 6881696 A	27-03-1997
		AU 6881896 A	27-03-1997
		AU 6881996 A	27-03-1997
		AU 6882096 A	27-03-1997
		AU 6882196 A	27-03-1997
		AU 6882296 A	27-03-1997
		AU 6882396 A	27-03-1997
		EP 0847670 A	17-06-1998
		EP 0847659 A	17-06-1998
		EP 0847671 A	17-06-1998
		EP 0847660 A	17-06-1998
		EP 0847661 A	17-06-1998
		EP 0847672 A	17-06-1998
		EP 0847673 A	17-06-1998
		EP 0847675 A	17-06-1998
		EP 0847669 A	17-06-1998
		EP 0847662 A	17-06-1998
		EP 0847678 A	17-06-1998
		EP 0847663 A	17-06-1998
		EP 0847664 A	17-06-1998
		EP 0847567 A	17-06-1998
		EP 0847677 A	17-06-1998
		EP 0847665 A	17-06-1998
		EP 0847666 A	17-06-1998
		EP 0847674 A	17-06-1998
		EP 0847667 A	17-06-1998

INTERNATIONAL SEARCH REPORT

Information on patent family members

Int ional Application No
PCT/GB 98/00835

Patent document cited in search report	Publication date	Patent family member(s)	Publication date
WO 9709861 A		EP 0847668 A	17-06-1998
		EP 0847676 A	17-06-1998
		WO 9709853 A	13-03-1997
		WO 9709840 A	13-03-1997
		WO 9709854 A	13-03-1997
		WO 9709841 A	13-03-1997
		WO 9709842 A	13-03-1997
		WO 9709855 A	13-03-1997
		WO 9709856 A	13-03-1997
		WO 9709858 A	13-03-1997
GB 2281836 A	15-03-1995	DE 4431873 A	16-03-1995
		JP 7304397 A	21-11-1995
		US 5754664 A	19-05-1998
WO 9709858 A	13-03-1997	AU 6880196 A	27-03-1997
		AU 6880296 A	27-03-1997
		AU 6880396 A	27-03-1997
		AU 6880496 A	27-03-1997
		AU 6880596 A	27-03-1997
		AU 6880696 A	27-03-1997
		AU 6880796 A	27-03-1997
		AU 6880896 A	27-03-1997
		AU 6880996 A	27-03-1997
		AU 6881096 A	27-03-1997
		AU 6881296 A	27-03-1997
		AU 6881396 A	27-03-1997
		AU 6881496 A	27-03-1997
		AU 6881596 A	27-03-1997
		AU 6881696 A	27-03-1997
		AU 6881896 A	27-03-1997
		AU 6881996 A	27-03-1997
		AU 6882096 A	27-03-1997
		AU 6882196 A	27-03-1997
		AU 6882296 A	27-03-1997
		AU 6882396 A	27-03-1997
		EP 0847670 A	17-06-1998
		EP 0847659 A	17-06-1998
		EP 0847671 A	17-06-1998
		EP 0847660 A	17-06-1998

INTERNATIONAL SEARCH REPORT

Information on patent family members

Int: ional Application No
PCT/GB 98/00835

Patent document cited in search report	Publication date	Patent family member(s)	Publication date
WO 9709858 A		EP 0847661 A	17-06-1998
		EP 0847672 A	17-06-1998
		EP 0847673 A	17-06-1998
		EP 0847675 A	17-06-1998
		EP 0847669 A	17-06-1998
		EP 0847662 A	17-06-1998
		EP 0847678 A	17-06-1998
		EP 0847663 A	17-06-1998
		EP 0847664 A	17-06-1998
		EP 0847567 A	17-06-1998
		EP 0847677 A	17-06-1998
		EP 0847665 A	17-06-1998
		EP 0847666 A	17-06-1998
		EP 0847674 A	17-06-1998
		EP 0847667 A	17-06-1998
		EP 0847668 A	17-06-1998
		EP 0847676 A	17-06-1998
		WO 9709853 A	13-03-1997
		WO 9709840 A	13-03-1997
		WO 9709854 A	13-03-1997
	WO 9709841 A	13-03-1997	
	WO 9709842 A	13-03-1997	
	WO 9709855 A	13-03-1997	
	WO 9709856 A	13-03-1997	
EP 411786 A	06-02-1991	AT 111040 T	15-09-1994
		CA 2021243 A	18-01-1991
		DE 69012253 D	13-10-1994
		DE 69012253 T	12-01-1995
		JP 4501839 T	02-04-1992
		WO 9101544 A	07-02-1991
		US 5193118 A	09-03-1993
DE 4328720 A	02-03-1995	NONE	
US 4362907 A	07-12-1982	US 4326100 A	20-04-1982
		JP 56167532 A	23-12-1981
DE 3603198 A	30-10-1986	NONE	

INTERNATIONAL SEARCH REPORT

Information on patent family members

International Application No

PCT/GB 98/00835

Patent document cited in search report	Publication date	Patent family member(s)	Publication date
DE 19638189 A	20-03-1997	US 5646381 A	08-07-1997
WO 9709859 A	13-03-1997	AU 6880196 A	27-03-1997
		AU 6880296 A	27-03-1997
		AU 6880396 A	27-03-1997
		AU 6880496 A	27-03-1997
		AU 6880596 A	27-03-1997
		AU 6880696 A	27-03-1997
		AU 6880796 A	27-03-1997
		AU 6880896 A	27-03-1997
		AU 6880996 A	27-03-1997
		AU 6881096 A	27-03-1997
		AU 6881296 A	27-03-1997
		AU 6881396 A	27-03-1997
		AU 6881496 A	27-03-1997
		AU 6881596 A	27-03-1997
		AU 6881696 A	27-03-1997
		AU 6881896 A	27-03-1997
		AU 6881996 A	27-03-1997
		AU 6882096 A	27-03-1997
		AU 6882196 A	27-03-1997
		AU 6882296 A	27-03-1997
		AU 6882396 A	27-03-1997
		EP 0847670 A	17-06-1998
		EP 0847659 A	17-06-1998
		EP 0847671 A	17-06-1998
		EP 0847660 A	17-06-1998
		EP 0847661 A	17-06-1998
		EP 0847672 A	17-06-1998
		EP 0847673 A	17-06-1998
		EP 0847675 A	17-06-1998
		EP 0847669 A	17-06-1998
		EP 0847662 A	17-06-1998
		EP 0847678 A	17-06-1998
		EP 0847663 A	17-06-1998
		EP 0847664 A	17-06-1998
		EP 0847567 A	17-06-1998
		EP 0847677 A	17-06-1998
		EP 0847665 A	17-06-1998
		EP 0847666 A	17-06-1998

INTERNATIONAL SEARCH REPORT

Information on patent family members

International Application No

PCT/GB 98/00835

Patent document cited in search report	Publication date	Patent family member(s)	Publication date
WO 9709859 A		EP 0847674 A	17-06-1998
		EP 0847667 A	17-06-1998
		EP 0847668 A	17-06-1998
		EP 0847676 A	17-06-1998
		WO 9709853 A	13-03-1997
		WO 9709840 A	13-03-1997
		WO 9709854 A	13-03-1997
		WO 9709841 A	13-03-1997
		WO 9709842 A	13-03-1997
		WO 9709855 A	13-03-1997
		WO 9709856 A	13-03-1997
		WO 9709858 A	13-03-1997
